



INSTALLATION INSTRUCTIONS FOR MOUNTING

LUVERNE STEP-UPS & BRACKETS WITH THE FOLLOWING MODEL NOs.:
420100/420756/420757 ON:

2007 + TOYOTA TUNDRA REG CAB PICKUPS 6.5' & 8' BOX
2007 + TOYOTA TUNDRA DOUBLE CAB 6.5' & 8' BOX

1. READ THE INSTRUCTIONS COMPLETELY AND CHECK TO MAKE SURE THAT ALL OF THE REQUIRED PARTS ARE ON HAND BEFORE STARTING THE INSTALLATION. THE CARTON SHOULD CONTAIN:
 - (1) STEP PACKAGE
 - (1) RETRACTABLE STEP
 - (1) CUSTOMER SERVICE PACKAGE
 - (1) MOUNTING BRACKET PACKAGE
 - (1) MOUNTING BRACKET, LH OR RH
 - (1) FASTENER PACKAGE

STEP ASSEMBLY & INSTALLATION INSTRUCTIONS

2. REMOVE THE FACTORY BOLTS THAT HOLDS THE BRAKE LINE TO THE FRAME RAIL (DRIVERSIDE ONLY). THESE WILL BE REUSED.
3. MOUNT SUPPORT BAR (ITEM# 3) UP INTO BOX STIFFNER IN A 1/2" FACTORY HOLE BETWEEN THE FUEL FILL LINES, THE OTHER END WILL MOUNT TO STEP BRACKET (ITEM #1) PLACE NUT AND WASHER (ITEMS #5 & 8) ON JUST FINGER TIGHT. THIS WILL HELP HOLD THE BRACKET WHILE MOUNTING IT TO THE FRAME RAIL. AS SHOWN IN *fig. 1A*. THE PASSENGER SIDE WILL USE THE FASTENERS PROVIDED IN FASTENER PACKAGE (ITEMS # 4, 5 & 8) 3/8" X 1" BOLT, NUT AND WASHER.
4. HOLD BRACKET UP TO FRAME AND REINSTALL FACTORY BOLT IN REAR MOUNT TO HOLD BRACKET TO THE FRAME RAIL FINGER TIGHT ONLY. THE BRAKE LINE SHOULD RUN ABOVE BRACKET. THEN PLACE BRAKE LINE CLAMP AND BOLT IN FRONT MOUNT OF THE BRACKET AND TIGHTEN. **NOTE: YOU WILL HAVE TO FLATTEN TAB ON CLAMPS TO ALLOW IT TO SIT FLAT AGAINST MOUNTING SURFACE.** TIGHTEN REAR BOLT OF BRACKET. *fig. 1*
5. WITH BRACKET MOUNTED AGAINST FRAME RAIL USE BOTTOM HOLE OF THE DRIVERSIDE REAR BRACKET MOUNT AND REMOUNT BRAKE LINE TO BRACKET WITH (ITEMS # 4, 5 & 8) 3/8" X 1" BOLT, NUT AND WASHER. MAKE SURE BRAKE LINE CLEARS BRACKET. BRAKES LINE BRACKET MAY NEED TO BE TURNED AROUND TO ASSURE PROPER FIT. THEN TIGHTEN.
6. TIGHTEN SUPPORT BAR. **DO NOT OVER TIGHTEN.**
7. INSTALL THE RETRACTABLE STEP (ITEM #2), TO THE MOUNTING BRACKET AS SHOWN USING THE FOUR (4) 7/16"-14 X 1-1/4" HEX BOLTS (ITEM #6) AND THE FOUR (4) 7/16"-14 HEX FLANGE NUTS (ITEM #7) INCLUDED IN THE STEP PACKAGE.

LUVERNE
TRUCK EQUIPMENT

(A LUVERNE Company)

1200 E. Birch St.

Brandon, SD 57005

425048 SHEET 1 OF 4 29MAR10

SERVICE PARTS LIST

ITEM	PART NO.	QTY	DESCRIPTION
1	425045	1	MOUNTING BRACKET - LH (SHOWN)
1	425046		MOUNTING BRACKET - RH
2	420100	1	RETRACTABLE STEP
3	425049	1	SUPPORT-BAR,MTG,BZP
4	100040	3	SCR-HEX HD 3/8-16X 1,ZP
5	100181	4	NUT HEX FLG,3/8-16,ZP
6	100069	4	HEX HEAD SCREW - 7/16"-14 X 1-1/4",ZP
7	100181	4	SERRATED FLANGE NUT - 7/16"-14, ZP
8	100062	4	WASHER-FLAT,3/8,ZP

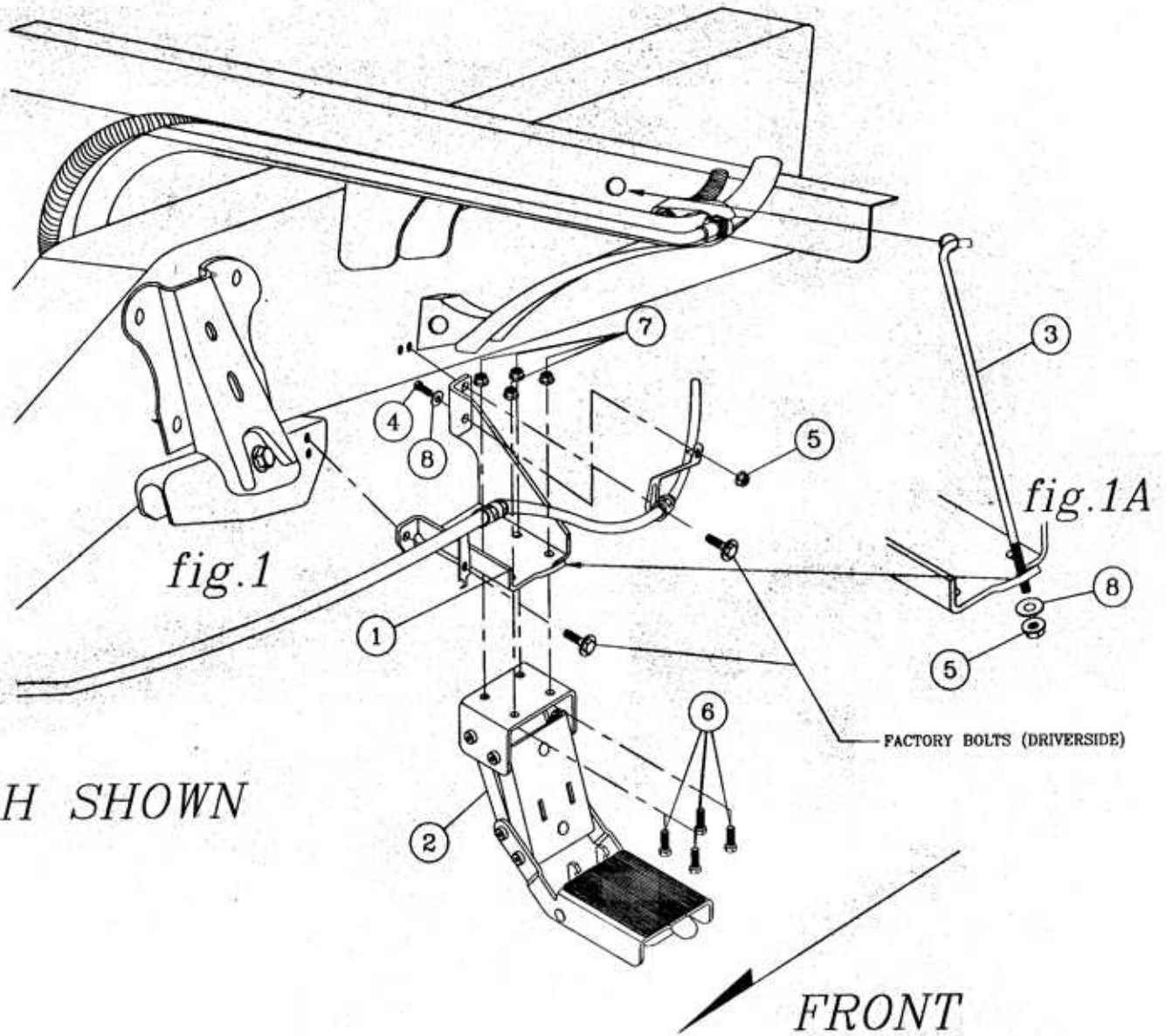


(A LIVERNE Company)

1200 E. Birch St.

Brandon, SD 57005

425048 SHEET 2 OF 4 29MAR10



LIVERNE
TRUCK EQUIPMENT

(A LIVERNE Company)

1200 E. Birch St.

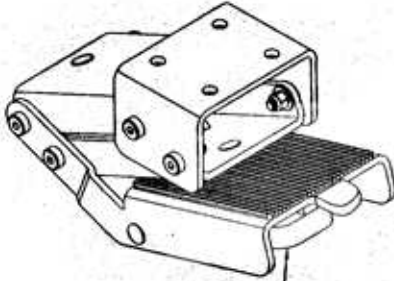
Brandon, SD 57005

425048 SHEET 3 OF 4 29MAR10

STEP OPERATION INSTRUCTIONS 1-2

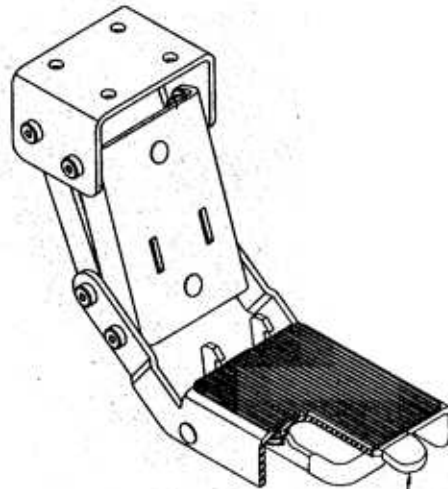
1. THE STEP IS OPERATED BY LIFTING THE LATCH LEVER UNDER THE STEP, EITHER BY USING YOUR HAND OR THE TIP OF THE TOE TO RELEASE THE STEP. SEE *fig. 2*.
2. TO RETURN THE STEP TO ITS CLOSED POSITION, APPLY PRESSURE TO THE TANG WITH EITHER YOUR HAND OR THE TIP OF YOUR TOE, AND SNAP IT CLOSED. SEE *fig. 3*.

fig. 2



LATCH LEVER - APPLY
PRESSURE UPWARD WITH
FINGER OR TOE TO OPEN

fig. 3



TANG - APPLY PRESSURE
UPWARD WITH FINGER OR
TOE TO CLOSE.

LIVERNE
TRUCK EQUIPMENT

(A LIVERNE Company)

1200 E. Birch St.

Brandon, SD 57005

425048 SHEET 4 OF 4 29MAR10